

Everest WNEV-17 CCP

STANDARD FEATURES

- double island (1 evaporator per module)
- working temperature: from -25°C to -21°C
- refrigerant: R744
- electrical defrosting
- 2 x NTC temperature probe
- siphoned condensate drains
- thermopane glass
- exposition: zinc-plated steel, powder coated in white (RAL 9003)
- color of the base – black (RAL 9005)
- WNEV-17-1895G sidewalls integrated

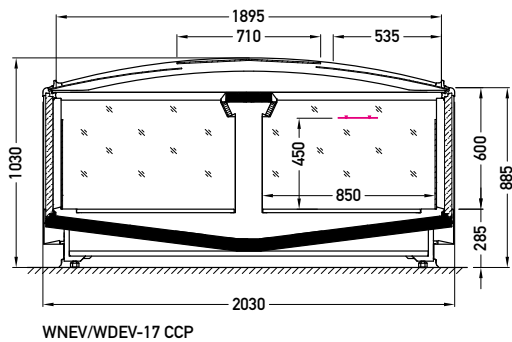
OPTIONS

- electronic expansion valve
- bumper
- sidewalls
- LEDit lighting

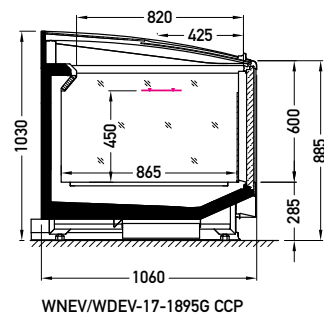


Everest WNEV-17 2500 CCP

CCP – cover | single, curved | sliding (slide-up/push)



D
A ↑
G
2500



D
A ↑
G
1895

AVAILABLE MODULES

1875 2500 3750
1895G